



**PERFORMANCE DATA SHEET
NEMA PREMIUM NR CAN NEMA 12 - 12**

Catalogue #: MQP-28

| HP | kW | Voltage | S.F. @ 60Hz | EFF. | P.F. | Frame | Design | L.R. Amps |
|-----|------|---------|-------------|-------|------|-------|--------|-----------|
| 7,5 | 5,60 | 230/460 | 1,25 | 91,0% | 0,74 | 254T | B | 63 |

| 60 Hz | | | | | | | | Code | F.L. RPM |
|-------|------|-----|-------|-----|-----|-----|--|------|----------|
| 208 | 230 | 416 | 460 | 480 | 575 | 600 | | | |
| / | 20,8 | / | 10,40 | / | / | | | H | 1185 |

| 50 Hz | | | | | | | | |
|-------|-----|-----|-------------|------------|--------------|------|----------|--|
| FLA | | | S.F. @ 50Hz | Efficiency | Power Factor | Code | F.L. RPM | |
| 190 | 380 | 415 | | | | | | |
| 24,0 | 12 | | 1,00 | 89,5% | 0,780 | G | 980 | |

| Wgt. Lbs | PH | Duty | Insul. Class | Amb. | Elevation | Temp. Rise° C |
|----------|----|-------|--------------|------|------------------|---------------|
| 272 | 3 | Cont. | F | 40°C | 1000M (3,300 Ft) | < 80 |

| % Efficiency | | % Power Factor | | Torque | | Winding Resist. Ω | Safe Cold Start (Secs) |
|--------------|-------|----------------|------|------------------|------|-------------------|------------------------|
| Full Load: | 91,0% | Full Load: | 0,74 | Full Load Ft/Lbs | 33,2 | | |
| 3/4 Load: | 91,0% | 3/4 Load: | 0,66 | Locked Rotor % | 185 | | |
| 1/2 Load: | 89,5% | 1/2 Load: | 0,53 | Break Down % | 280 | 0 | 20 |

| Rotor Inertia Wk2 Lb-Ft2 | Max Load Inertia Wk2 Lb-Ft2 | Shaft Material | Frame Material | DE Bracket Type | ODE Bracket Type | Enclosure | NEMA Rating | Lead Wire Size |
|--------------------------|-----------------------------|----------------|----------------|-----------------|------------------|-----------|-------------|----------------|
| 1,92 | 150 | 1045 | Cast Iron | Cast Iron | Cast Iron | TEFC | IP55 | 14 AWG |

| Ball Bearings | | Grease | Mount Type | Orientation | Paint | Sound Pressure @ 3FT | Sound Power |
|---------------|------|-----------------|------------|-------------|---------|----------------------|-------------|
| DE | ODE | | | | | | |
| 6309 | 6309 | Mobil PolyrexEm | Rigid | Horizontal | RAL6022 | 65 | 75 |

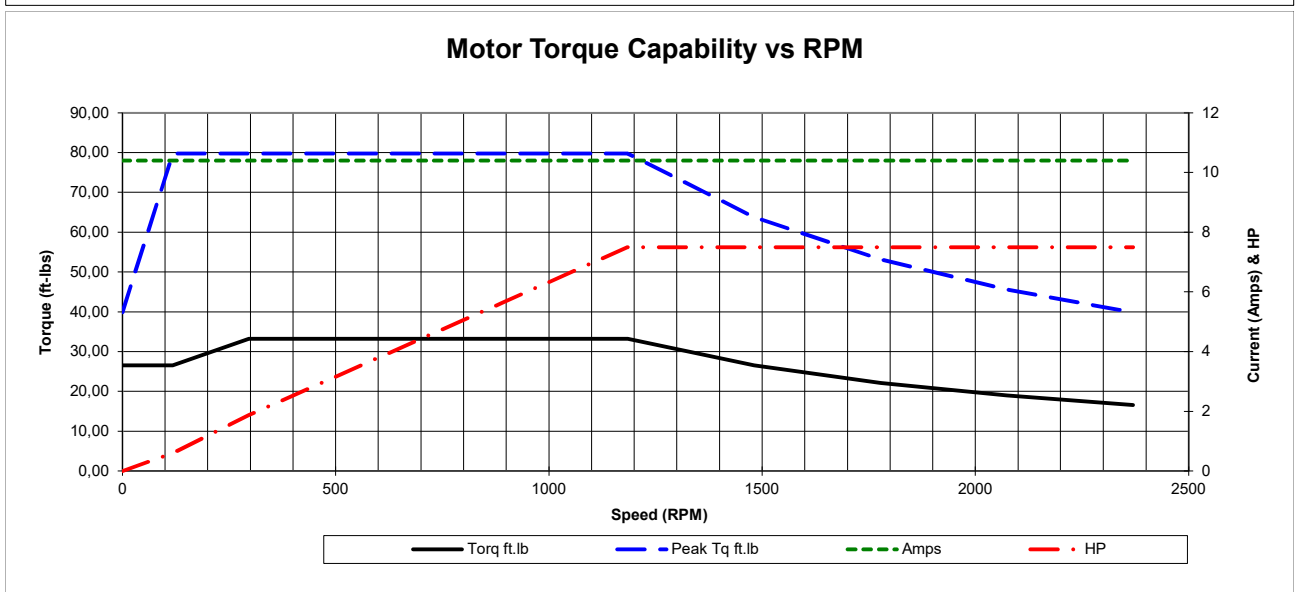
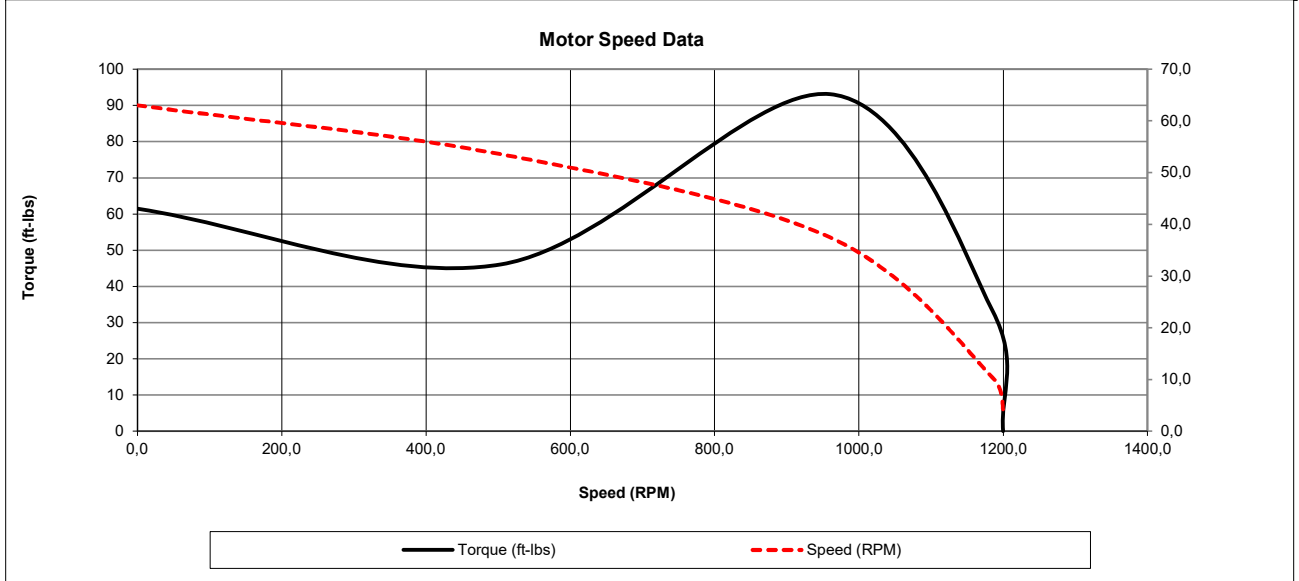
| Inverter Duty, Motor meets MG1 parts 31.4.4.2 | VFD SF | Constant Torque Range | Variable Torque Range | Constant HP RPM |
|---|--------|-----------------------|-----------------------|-----------------|
| | 1,00 | 10:1 | 20:1 | 1800 |



Date: 2023-12-13
 Customer: _____
 Contact: _____
 Submittee: J.C. Lavallée

Catalogue #: MQP-28

| NEMA PREMIUM NR CAN NEMA 12 - 12 | | | | | | | | | | |
|----------------------------------|---------------------|----------------|------------------|-------------------|-------------|---|--------------|----------------|------------------|-----------------|
| HP | VAC | RPM | Enclosure | Frame | Frequency | Design | Poles | LR Code Letter | Insulation Class | Temp. Rise °C |
| 7,5 | 460 | 1185 | TEFC | 254T | 60 Hz | B | 6 | H | F | < 80 |
| | 0Hz | 6Hz | 15Hz | 30Hz | 45Hz | 60 Hz | 75Hz | 90Hz | 105Hz | 120Hz |
| Amps | 10,4 | 10,4 | 10,4 | 10,4 | 10,4 | 10,4 | 10,4 | 10,4 | 10,4 | 10,4 |
| RPM | 0 | 118,5 | 296,25 | 592,5 | 888,75 | 1185 | 1481,25 | 1777,5 | 2073,75 | 2370 |
| Torq ft.lb | 26,59 | 26,59 | 33,24 | 33,24 | 33,24 | 33,24 | 26,59 | 22,16 | 18,99 | 16,62 |
| Peak Tq ft.lb | 39,89 | 79,78 | 79,78 | 79,78 | 79,78 | 79,78 | 63,82 | 53,18 | 45,59 | 39,89 |
| HP | 0 | 0,6 | 1,9 | 3,8 | 5,6 | 7,5 | 7,5 | 7,5 | 7,5 | 7,5 |
| | Locked Rotor | Pull-Up | Breakdown | Rated Load | Idle | Duty | S. F. | Ambient | Elevation | dBA @ 1M |
| Speed (RPM) | 0,0 | 504 | 960 | 1185 | 1200 | Continuous | 1,25 | 40°C | 3,300 ft | 65 |
| Current (Amps) | 63,0 | 53,6 | 37,5 | 10,4 | 4,0 | VFD Rating: Meets MG1 parts 31.4.4.2 | | | | |
| Torque (ft-lbs) | 61,5 | 46,1 | 93,1 | 33,2 | 0,0 | C.T. | 10:1 | V.T. | 20:1 | VFD SF 1.00 |

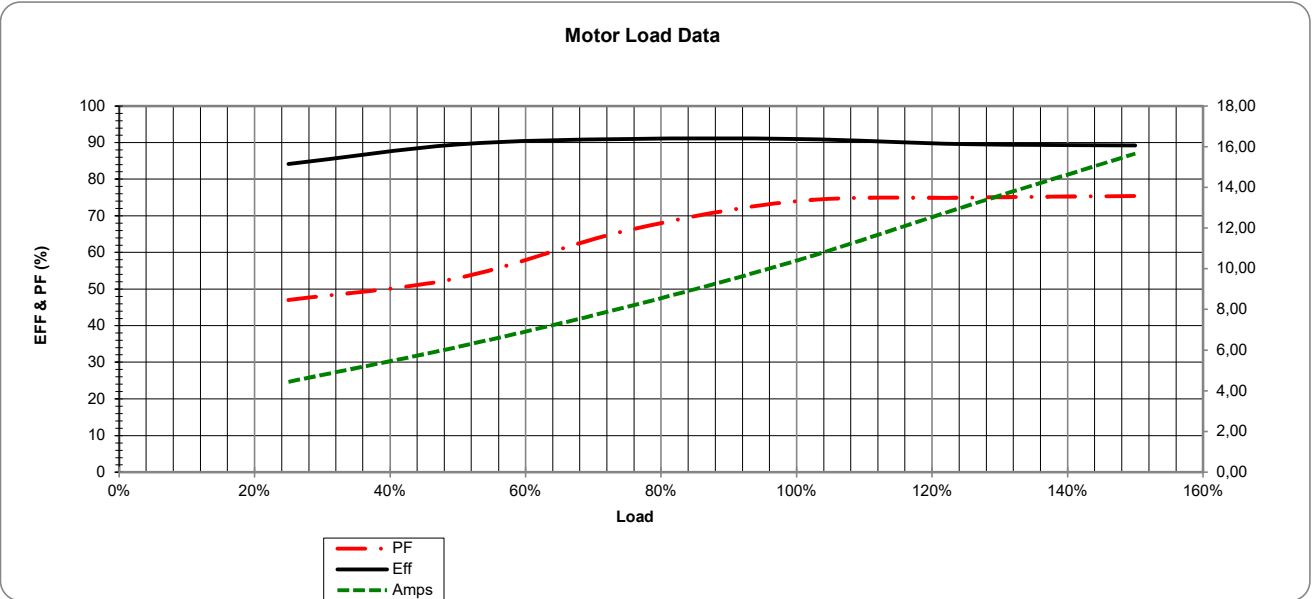
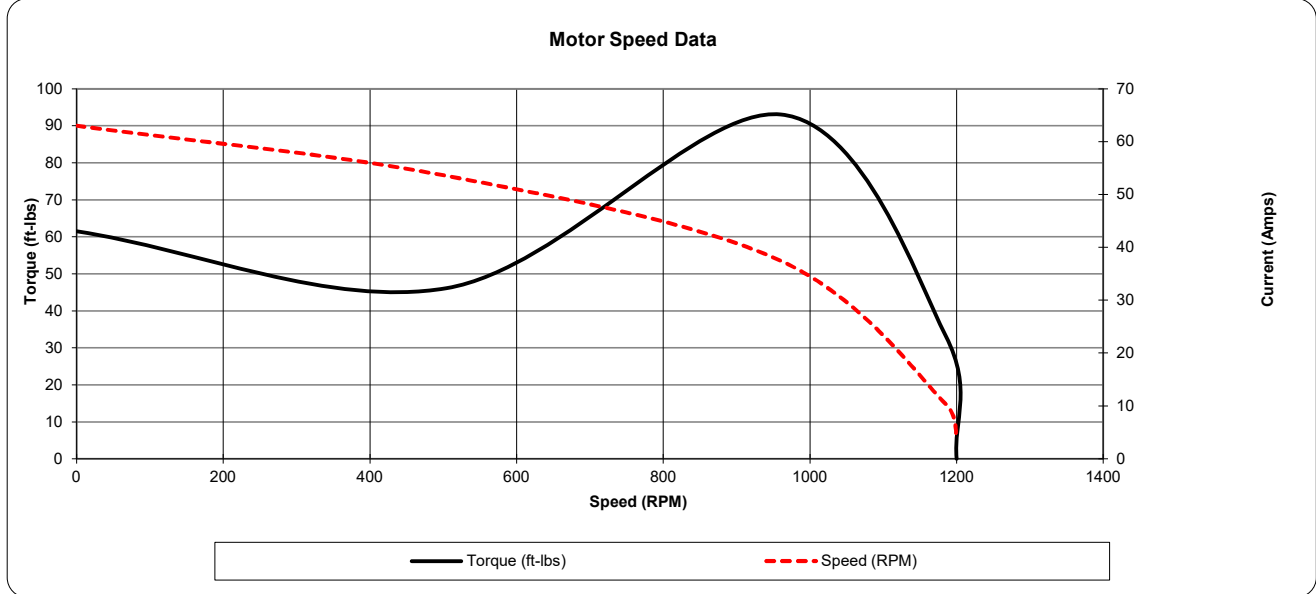


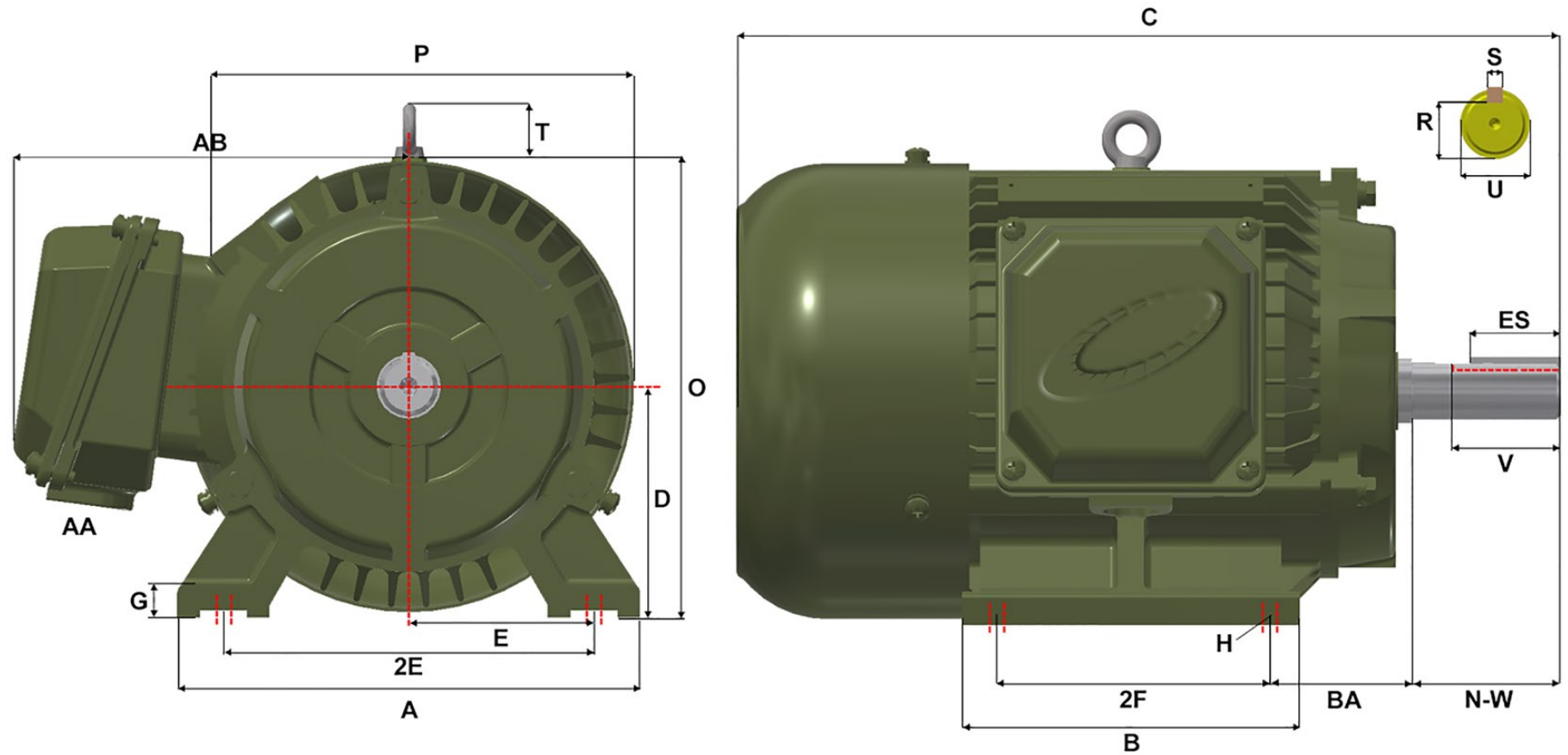


Date: 2023-12-13
 Customer: _____
 Contact: _____
 Submittee: J.C. Lavallée

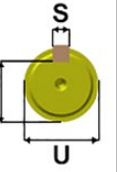
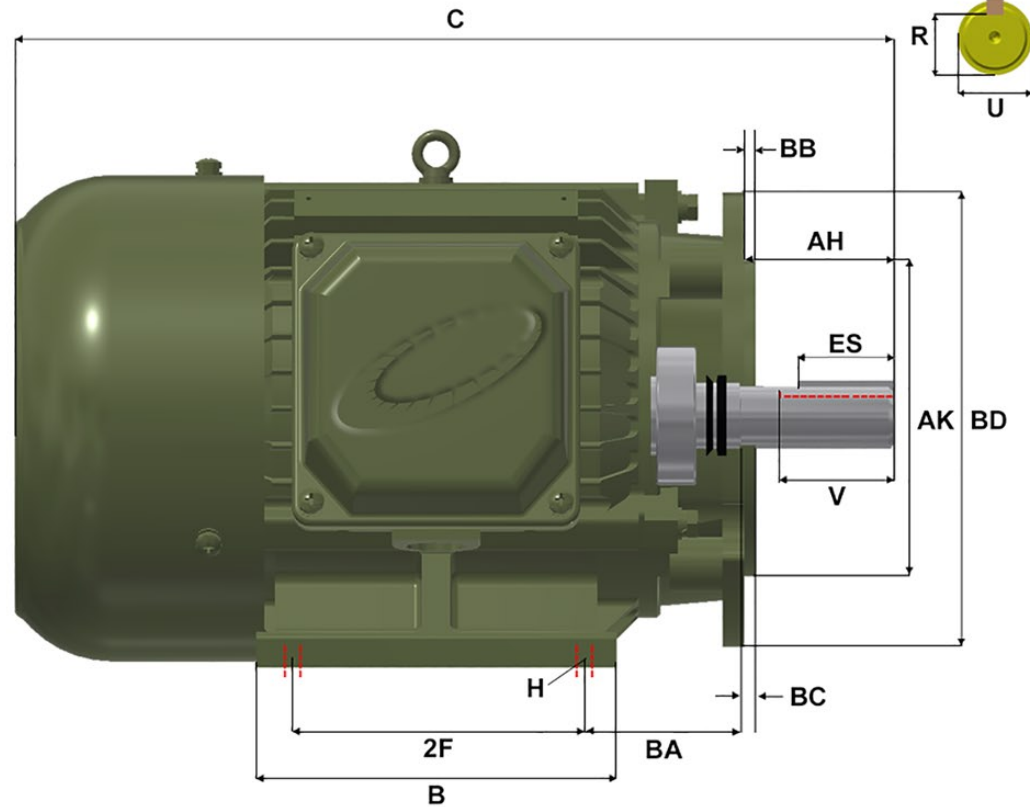
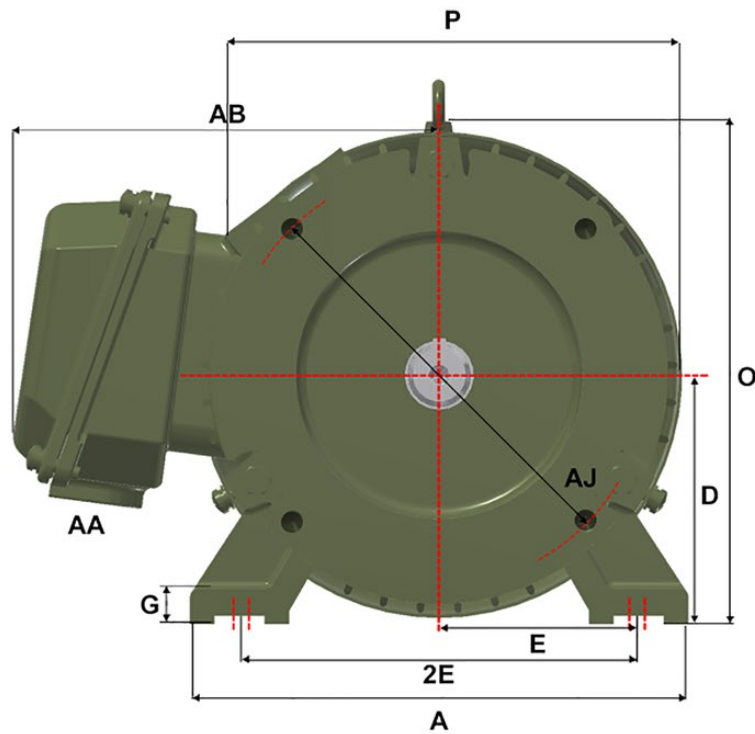
Catalogue #: **MQP-28**

| NEMA PREMIUM NR CAN NEMA 12 - 12 | | | | | | | | | | |
|----------------------------------|---------------------|----------------|------------------|-------------------|-------------|---|--------------|----------------|------------------|-----------------|
| HP | VAC | RPM | Enclosure | Frame | Frequency | Design | Poles | LR Code Letter | Insulation Class | Temp. Rise °C |
| 7,5 | 460 | 1185 | TEFC | 254T | 60 Hz | B | 6 | H | F | < 80 |
| Load % | 0% | 25% | 50% | 75% | 100% | 125% | 150% | | | |
| Amps | 3,95 | 4,44 | 6,16 | 8,12 | 10,40 | 13,07 | 15,66 | | | |
| Torq ft/lbs | 0 | 8,23 | 16,52 | 24,85 | 33,24 | 41,68 | 50,18 | | | |
| RPM | 0 | 1196,25 | 1192,5 | 1188,75 | 1185 | 1181,25 | 1177,5 | | | |
| Eff | 0 | 84,12 | 89,50 | 91,00 | 91,00 | 89,57 | 89,22 | | | |
| PF | 0 | 47 | 53 | 66 | 74 | 74,962 | 75,406 | | | |
| | Locked Rotor | Pull-Up | Breakdown | Rated Load | Idle | Duty | S. F. | Ambient | Elevation | dBa @ 1M |
| Speed (RPM) | 0 | 504 | 960 | 1185 | 1200 | Continuous | 1,25 | 40°C | 3,300 ft | 65 |
| Current (Amps) | 63 | 53,6 | 37,5 | 10,4 | 3,952 | VFD Rating: Meets MG1 parts 31.4.4.2 | | | | |
| Torque (ft-lbs) | 61,49 | 46,12 | 93,07 | 33,24 | 0,0 | C.T. | 10:1 | V.T. | 20:1 | VFD SF 1.00 |



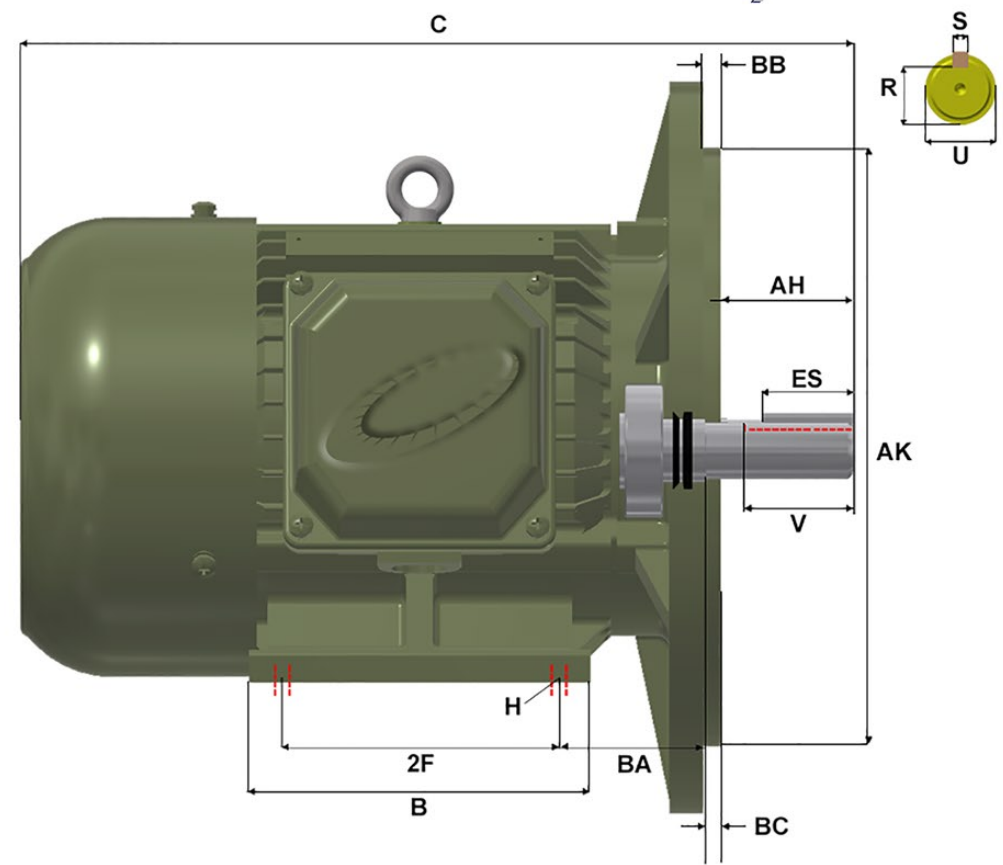
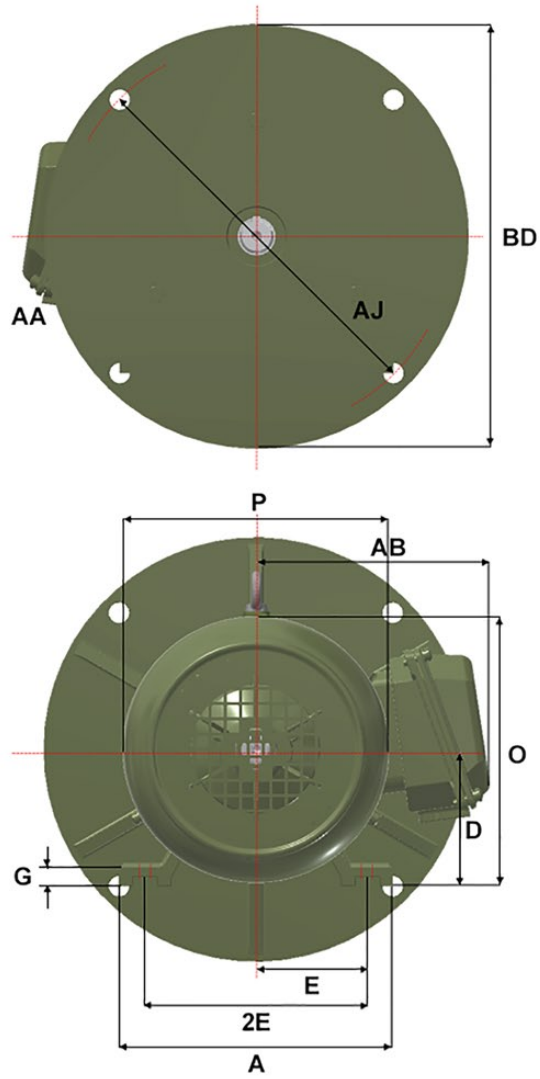


| Version: 2WTI | | Revised: 08-10-2019 | | HP | RPM | FRAME | ENCLOSURE | MPP/MQP-28 | | | | | | |
|--|-------|---------------------|------|------|-----------|-------|-----------|------------|-------|-------|------|--|--|--|
| Customer is responsible in determining that Max Motion product will fit/perform suitably in the intended application | | | | | | | | 7.5 | 1200 | 254T | TEFC | | | |
| A | B | C | D | E | 2E | 2F | G | H | O | P | | | | |
| 13.00 | 12.20 | 23.20 | 6.25 | 5.00 | 10.00 | 8.25 | 0.70 | 4 X 0.53 | 13.20 | 12.80 | | | | |
| R | S | T | U | V | AA | AB | BA | ES | N-W | | | | | |
| 1.42 | 0.38 | 2.20 | 1.63 | 3.75 | 1-1/4 NPT | 10.30 | 4.25 | 2.91 | 4.00 | | | | | |



| Version: 2WTI | | Revised: 08-10-2019 | | HP | RPM | FRAME | ENCLOSURE | MPP/MQP-28C | | | | |
|---|-------|---------------------|-----------|------|-------|-------|-----------|-------------|-------|-------|-------|-------|
| Customer is responsible in determining that MEP product will fit/perform suitably in the intended application | | | | 7.5 | 1200 | 254TC | TEFC | | | | | |
| A | B | C | D | E | 2E | 2F | G | H | O | P | R | S |
| 13.00 | 12.20 | 23.20 | 6.25 | 5.00 | 10.00 | 8.25 | 0.70 | 4 * 0.53 | 13.20 | 12.80 | 1.416 | 0.375 |
| T | U | V | AA | AB | AH | AJ | AK | BA | BB | BC | BD | ES |
| 2.20 | 1.625 | 3.75 | 1-1/4 NPT | 9.00 | 3.75 | 7.25 | 8.50 | 4.75 | 0.25 | 0.25 | 10.00 | 2.91 |

MaxMotion



| | | | | | | | | | | | | | |
|---|-------|---------------------|-----------|-------|-------|-------|-----------|--------------------|-------|-------|-------|-------|--|
| Version: 2WTI | | Revised: 08-10-2019 | | HP | RPM | FRAME | ENCLOSURE | MPP/MQP-28D | | | | | |
| Customer is responsible in determining that MEP product will fit/perform suitably in the intended application | | | | 7.5 | 1200 | 254TD | TEFC | | | | | | |
| A | B | C | D | E | 2E | 2F | G | H | O | P | R | S | |
| 13.00 | 12.20 | 23.20 | 6.25 | 5.00 | 10.00 | 8.25 | 0.70 | 4 * 0.53 | 13.00 | 12.40 | 1.416 | 0.375 | |
| T | U | V | AA | AB | AH | AJ | AK | BA | BB | BC | BD | ES | |
| 2.20 | 1.625 | 3.75 | 1-1/4 NPT | 10.10 | 4.00 | 12.50 | 11.00 | 4.75 | 0.25 | 0.00 | 14.00 | 2.91 | |

PREMIUM DESIGN B NEMA 12-12

CAST IRON CONSTRUCTION RIGID BASE

TEFC TOTALLY ENCLOSED FAN COOLED

MaxMotion

Applications:

General purpose use on conveyors, compressors, pumps, fans, blowers and other industrial and process machinery working in wet and dirty environments.

MaxMotion premium high efficiency motors offer even more return on your investment when used in high cycling and long running time applications.

Features:



Design - NEMA standard MG-1, Design B meets MG-1 Part 31

Agency listings and standard - NEMA, IEEE, CSA, CSAus, IEC, CE, NRCan

Service Factor - 1.25 SF 1HP to 50HP, 1.15 SF 60 HP to 300HP

Electrical Supply - At 60Hz: 575V and 230/460V dual rated and at 50Hz: 190/380, Frame 445T+ are only 460V or 575V

Windings - Highest quality Enamel coated Corona resistant inverter duty magnet wire. VPI with additional dip and bake.

Insulation - Non hygroscopic class F with class B temperature rise

Voltage and frequency variation - +/- 10% as based on two voltage points of the motor being either 230 / 460 or 333 / 575

Bearings - 143T to 215T are double sealed and grease filled, 254T to 449T are regreasable with brass grease nipples and retaining bearing caps. Frame 404T to 449T are with roller bearings.

Bearing lubricant - Frame 143T to 215T is lithium grease, -30 Deg C to 110 Deg C amb. Frame 254T+ are long life mobil Polyrex EM, -29 Deg C to 177 Deg C.

Enclosure Protection - Totally Enclosed Fan Cooled meeting IEC standard IP55. Factory Certified Division 2 Class I Groups A, B, C, D Class II Groups F, G. Meets Temp Code T2B.

Mounting - F1 Standard Assembly, Reversible to F2 Assembly

Conduit Box - Oversize cast iron, diagonally split. Can be rotated in 90 Deg steps. Lead separator gasket to seal conduit box from frame and gasketed cover. Grounding terminal inside conduit box and threaded conduit entry.

Inverter duty - Suitable for inverter application at 230V, 460V, 575V for speed ranges of 10:1 constant torque and 20:1 variable torque.

Nameplate - Corrosion resistant stainless steel showing all data connection diagrams and certifications

Drain plugs - Located at the lowest point of motor at both ends.

Warranty - 3 years



PREMIUM DESIGN B NEMA 12-12

CAST IRON CONSTRUCTION RIGID BASE

TEFC TOTALLY ENCLOSED FAN COOLED



| HP | FL RPM | VOLTS | FRAME | CAT NO. | NOM EFF. | F.L. AMPS | CODE | WT (Lbs) | DE BRG | ODE BRG | "C" Dimension (Inch) |
|------|--------|----------|---------|---------|----------|-----------|----------|----------|--------|---------|----------------------|
| 1 | 3515 | 230/460 | 143T | MQP-1 | 77 | 3.5/1.75 | M | 41 | 6205 | 6205 | 12,6 |
| | 3515 | 575 | 143T | MPP-1 | 77 | 1.4 | M | 41 | 6205 | 6205 | 12,6 |
| | 1745 | 230/460 | 143T | MQP-2 | 85,5 | 3/1.5 | M | 47 | 6205 | 6205 | 13,6 |
| | 1745 | 575 | 145T | MPP-2 | 85,5 | 1.2 | M | 47 | 6205 | 6205 | 13,6 |
| | 1160 | 230/460 | 145T | MQP-3 | 82,5 | 3.6/1.8 | M | 52 | 6205 | 6205 | 14,6 |
| | 1160 | 575 | 145T | MPP-3 | 82,5 | 1.44 | M | 52 | 6205 | 6205 | 14,6 |
| | 865 | 230/460 | 182T | MQP-4 | 75,5 | 3.8/1.9 | M | 64 | 6306 | 6306 | 16,1 |
| | 865 | 575 | 182T | MPP-4 | 75,5 | 1.55 | M | 64 | 6306 | 6306 | 16,1 |
| | 1 1/2 | 3520 | 230/460 | 143T | MQP-6 | 84,1 | 4/2.2 | M | 46 | 6205 | 6205 |
| 3520 | | 575 | 143T | MPP-6 | 84,1 | 1.76 | M | 46 | 6205 | 6205 | 13,6 |
| 1750 | | 230/460 | 145T | MQP-7 | 86,5 | 4.4/2.2 | M | 55 | 6025 | 6025 | 14,6 |
| 1750 | | 575 | 145T | MPP-7 | 86,5 | 1.8 | M | 55 | 6025 | 6025 | 14,6 |
| 1175 | | 230/460 | 182T | MQP-8 | 87,5 | 4.8/2.4 | M | 95 | 6306 | 6306 | 16,1 |
| 1175 | | 575 | 182T | MPP-8 | 87,5 | 1.9 | M | 95 | 6306 | 6306 | 16,1 |
| 865 | | 230/460 | 184T | MQP-9 | 78,5 | 5.4/2.7 | M | 64 | 6306 | 6306 | 17,1 |
| 865 | | 575 | 184T | MPP-9 | 78,5 | 2.16 | M | 64 | 6306 | 6306 | 17,1 |
| 2 | | 3510 | 230/460 | 145T | MQP-11 | 85,5 | 5.3/2.65 | L | 52 | 6205 | 6205 |
| | 3510 | 575 | 145T | MPP-11 | 85,5 | 2.05 | L | 52 | 6205 | 6205 | 14,6 |
| | 1745 | 230/460 | 145T | MQP-12 | 86,5 | 6.2/3.1 | L | 56 | 6205 | 6205 | 14,6 |
| | 1745 | 575 | 145T | MPP-12 | 86,5 | 2.4 | L | 56 | 6205 | 6205 | 14,6 |
| | 1180 | 230/460 | 184T | MQP-13 | 88,5 | 5.9/2.95 | L | 103 | 6306 | 6306 | 17,1 |
| | 1180 | 575 | 184T | MPP-13 | 88,5 | 2.4 | L | 103 | 6306 | 6306 | 17,1 |
| | 860 | 230/460 | 213T | MQP-14 | 84 | 6.8/3.4 | L | 150 | 6308 | 6308 | 18,9 |
| | 860 | 575 | 213T | MPP-14 | 84 | 2.65 | L | 150 | 6308 | 6308 | 18,9 |
| | 3 | 3485 | 230/460 | 145T | MQP-16S | 86,5 | 7.4/3.7 | K | 90 | 6205 | 6205 |
| 3485 | | 575 | 145T | MPP-16S | 86,5 | 3 | K | 90 | 6308 | 6308 | 14,6 |
| 3520 | | 230/460 | 182T | MQP-16 | 86,5 | 7.4/3.7 | K | 97 | 6306 | 6306 | 16,1 |
| 3520 | | 575 | 182T | MPP-16 | 86,5 | 3 | K | 97 | 6306 | 6306 | 16,1 |
| 1760 | | 230/460 | 182T | MQP-17 | 89,5 | 7.6/4 | K | 97 | 6306 | 6306 | 16,1 |
| 1760 | | 575 | 182T | MPP-17 | 89,5 | 3.2 | K | 97 | 6306 | 6306 | 16,1 |
| 1185 | | 230/460 | 213T | MQP-18 | 89,5 | 8.4/4.2 | K | 136 | 6308 | 6308 | 18,9 |
| 1185 | | 575 | 213T | MPP-18 | 89,5 | 3.4 | K | 136 | 6308 | 6308 | 18,9 |
| 860 | | 230/460 | 215T | MQP-19 | 85,5 | 9.2/4.6 | K | 167 | 6308 | 6308 | 20,4 |
| 860 | 575 | 215T | MPP-19 | 85,5 | 3.68 | K | 167 | 6308 | 6308 | 20,4 | |
| 5 | 3515 | 230/460 | 184T | MQP-21 | 88,5 | 11.6/5.8 | J | 110 | 6306 | 6306 | 17,1 |
| | 3515 | 575 | 184T | MPP-21 | 88,5 | 4.6 | J | 110 | 6306 | 6306 | 17,1 |
| | 1755 | 230/460 | 184T | MQP-22 | 89,5 | 13.6/6 | J | 112 | 6306 | 6306 | 17,1 |
| | 1755 | 575 | 184T | MPP-22 | 89,5 | 5.4 | J | 112 | 6306 | 6306 | 17,1 |
| | 1180 | 230/460 | 215T | MQP-23 | 89,5 | 14.2/7.1 | J | 162 | 6308 | 6308 | 20,4 |
| | 1180 | 575 | 215T | MPP-23 | 89,5 | 5.68 | J | 162 | 6308 | 6308 | 20,4 |
| | 870 | 230/460 | 254T | MQP-24 | 86,5 | 16/8 | J | 286 | 6309 | 6309 | 23,2 |
| | 870 | 575 | 254T | MPP-24 | 86,5 | 6.5 | J | 286 | 6309 | 6309 | 23,2 |
| | 7.5 | 3505 | 230/460 | 184T | MQP-26S | 86,5 | 17.6/8.8 | H | 134 | 6306 | 6306 |
| 3505 | | 575 | 184T | MPP-26S | 89,5 | 7 | H | 134 | 6306 | 6306 | 17,1 |
| 3530 | | 230/460 | 213T | MQP-26 | 89,5 | 17.6/8.8 | H | 150 | 6308 | 6308 | 18,9 |
| 3530 | | 575 | 213T | MPP-26 | 89,5 | 7 | H | 150 | 6308 | 6308 | 18,9 |
| 1770 | | 230/460 | 213T | MQP-27 | 91,7 | 18.4/9.2 | H | 150 | 6308 | 6308 | 18,9 |
| 1770 | | 575 | 213T | MPP-27 | 91,7 | 7.4 | H | 150 | 6308 | 6308 | 18,9 |
| 1185 | | 230/460 | 254T | MQP-28 | 91 | 20.8/10.4 | H | 272 | 6309 | 6309 | 23,2 |
| 1185 | | 575 | 254T | MPP-28 | 91 | 7.8 | H | 272 | 6309 | 6309 | 23,2 |
| 870 | | 2230/460 | 256T | MQP-29 | 86,5 | 24/11.5 | H | 315 | 6309 | 6309 | 25 |
| 870 | 575 | 256T | MPP-29 | 86,5 | 9.6 | H | 315 | 6309 | 6309 | 25 | |
| 10 | 3525 | 230/460 | 215T | MQP-31 | 90,2 | 22.8/11.4 | H | 167 | 6308 | 6308 | 20,4 |
| | 3525 | 575 | 215T | MPP-31 | 90,2 | 9.1 | H | 167 | 6308 | 6308 | 20,4 |
| | 1770 | 230/460 | 215T | MQP-32 | 91,7 | 24/12 | H | 167 | 6308 | 6308 | 20,4 |
| | 1770 | 575 | 215T | MPP-32 | 91,7 | 9.6 | H | 167 | 6308 | 6308 | 20,4 |
| | 1180 | 230/460 | 256T | MQP-33 | 91 | 25.6/12.8 | H | 293 | 6309 | 6309 | 25 |
| | 1180 | 575 | 256T | MPP-33 | 91 | 10.2 | H | 293 | 6309 | 6309 | 25 |
| | 885 | 230/460 | 284T | MQP-34 | 89,5 | 31/15.5 | H | 392 | 6311 | 6311 | 26,6 |
| | 885 | 575 | 284T | MPP-34 | 89,5 | 12.5 | H | 392 | 6311 | 6311 | 26,6 |



PREMIUM DESIGN B NEMA 12-12

CAST IRON CONSTRUCTION RIGID BASE

TEFC TOTALLY ENCLOSED FAN COOLED



| HP | FL RPM | VOLTS | FRAME | CAT NO. | NOM EFF. | F.L. AMPS | CODE | WT (Lbs) | DE BRG | ODE BRG | "C" Dimension (Inch) |
|----|--------|---------|-------|---------|----------|------------|------|----------|--------|---------|----------------------|
| 15 | 3545 | 230/460 | 215T | MQP-36S | 91 | 34.4/17.2 | G | 162 | 6309 | 6308 | 20,4 |
| | 3545 | 575 | 215T | MPP-36S | 91 | 13.8 | G | 162 | 6309 | 6308 | 20,4 |
| | 3545 | 230/460 | 254T | MQP-36 | 91 | 34.4/17.2 | G | 286 | 6309 | 6309 | 23,2 |
| | 3545 | 575 | 254T | MPP-36 | 91 | 13.8 | G | 286 | 6309 | 6309 | 23,2 |
| | 1770 | 230/460 | 254T | MQP-37 | 92,4 | 36.4/18.2 | G | 297 | 6309 | 6309 | 23,2 |
| | 1770 | 575 | 254T | MPP-37 | 92,4 | 14.6 | G | 297 | 6309 | 6309 | 23,2 |
| | 1180 | 230/460 | 284T | MQP-38 | 91,7 | 38/19 | G | 363 | 6311 | 6311 | 26,6 |
| | 1180 | 575 | 284T | MPP-38 | 91,7 | 15.2 | G | 363 | 6311 | 6311 | 26,6 |
| | 885 | 230/460 | 286T | MQP-39 | 89,5 | 46/23 | G | 394 | 6311 | 6311 | 28,1 |
| | 885 | 575 | 286T | MPP-39 | 89,5 | 18.5 | G | 394 | 6311 | 6311 | 28,1 |
| 20 | 3540 | 230/460 | 256T | MQP-41 | 91 | 46/23 | G | 315 | 6309 | 6309 | 25 |
| | 3540 | 575 | 256T | MPP-41 | 91 | 18.4 | G | 315 | 6309 | 6309 | 25 |
| | 1760 | 230/460 | 256T | MQP-42 | 93 | 48.4/24.2 | G | 315 | 6309 | 6309 | 25 |
| | 1760 | 575 | 256T | MPP-42 | 93 | 19.1 | G | 315 | 6309 | 6309 | 25 |
| | 1185 | 230/460 | 284T | MQP-43 | 91,7 | 50/25 | G | 394 | 6311 | 6311 | 28,1 |
| | 1185 | 575 | 284T | MPP-43 | 91,7 | 20 | G | 394 | 6311 | 6311 | 28,1 |
| | 880 | 230/460 | 324T | MQP-44 | 90,2 | 58/28 | G | 444 | 6312 | 6312 | 29,8 |
| | 880 | 575 | 324T | MPP-44 | 90,2 | 22.5 | G | 444 | 6312 | 6312 | 29,8 |
| 25 | 3540 | 230/460 | 284TS | MQP-46 | 91,7 | 57/28.5 | G | 385 | 6311 | 6311 | 25,2 |
| | 3540 | 575 | 284TS | MPP-46 | 91,7 | 22.4 | G | 385 | 6311 | 6311 | 25,2 |
| | 1775 | 230/460 | 284T | MQP-47 | 93,6 | 60/30 | G | 392 | 6311 | 6311 | 26,6 |
| | 1775 | 575 | 284T | MPP-47 | 93,6 | 24 | G | 392 | 6311 | 6311 | 26,6 |
| | 1185 | 230/460 | 324T | MQP-48 | 93 | 61/30.5 | G | 508 | 6312 | 6312 | 29,8 |
| | 1185 | 575 | 324T | MPP-48 | 93 | 24.4 | G | 508 | 6312 | 6312 | 29,8 |
| | 880 | 230/460 | 326T | MQP-49 | 90,2 | 76/38 | G | 469 | 6312 | 6312 | 31,3 |
| | 880 | 575 | 326T | MPP-49 | 90,2 | 30.5 | G | 469 | 6312 | 6312 | 31,3 |
| 30 | 3530 | 230/460 | 286TS | MQP-51 | 91,7 | 69/34.5 | G | 409 | 6311 | 6311 | 26,7 |
| | 3530 | 575 | 286TS | MPP-51 | 91,7 | 27.6 | G | 409 | 6311 | 6311 | 26,7 |
| | 1775 | 230/460 | 286T | MQP-52 | 93,6 | 70.6/35.3 | G | 418 | 6311 | 6311 | 28,1 |
| | 1775 | 575 | 286T | MPP-52 | 93,6 | 28.2 | G | 418 | 6311 | 6311 | 28,1 |
| | 1185 | 230/460 | 326T | MQP-53 | 93 | 71.8/35.9 | G | 537 | 6312 | 6312 | 31,3 |
| | 1185 | 575 | 326T | MPP-53 | 93 | 28.7 | G | 537 | 6312 | 6312 | 31,3 |
| | 885 | 230/460 | 364T | MQP-54 | 91,7 | 88/44 | G | 607 | 6313 | 6313 | 32,5 |
| | 885 | 575 | 364T | MPP-54 | 91,7 | 35 | G | 607 | 6313 | 6313 | 32,5 |
| 40 | 3545 | 230/460 | 324TS | MQP-56 | 92,4 | 91/45.5 | G | 510 | 6312 | 6312 | 28,3 |
| | 3545 | 575 | 324TS | MPP-56 | 92,4 | 36.4 | G | 510 | 6312 | 6312 | 28,3 |
| | 1780 | 230/460 | 324T | MQP-57 | 94,1 | 93.2/46.6 | G | 519 | 6312 | 6312 | 29,8 |
| | 1780 | 575 | 324T | MPP-57 | 94,1 | 37.3 | G | 519 | 6312 | 6312 | 29,8 |
| | 1188 | 230/460 | 364T | MQP-58 | 94,1 | 100/50 | G | 697 | 6313 | 6313 | 32,5 |
| | 1188 | 575 | 364T | MPP-58 | 94,1 | 40 | G | 697 | 6313 | 6313 | 32,5 |
| | 885 | 230/460 | 365T | MQP-59 | 91,7 | 112/56 | G | 902 | 6313 | 6313 | 33,5 |
| | 885 | 575 | 365T | MPP-59 | 91,7 | 36 | G | 902 | 6313 | 6313 | 33,5 |
| 50 | 3545 | 230/460 | 324TS | MQP-61 | 93 | 116.2/58.1 | G | 548 | 6312 | 6312 | 29,8 |
| | 3545 | 575 | 324TS | MPP-61 | 93 | 46.4 | G | 548 | 6312 | 6312 | 29,8 |
| | 1780 | 230/460 | 326T | MQP-62 | 93 | 116.2/58.1 | G | 594 | 6312 | 6312 | 31,3 |
| | 1780 | 575 | 326T | MPP-62 | 94,5 | 46.6 | G | 594 | 6312 | 6312 | 31,3 |
| | 1187 | 230/460 | 364T | MQP-63 | 94,1 | 126/63 | G | 752 | 6313 | 6313 | 33,5 |
| | 1187 | 575 | 364T | MPP-63 | 94,1 | 50 | G | 752 | 6313 | 6313 | 33,5 |
| | 885 | 230/460 | 404T | MQP-64 | 92,4 | 133/66.5 | G | 902 | NU318 | 6314 | 33,5 |
| | 885 | 575 | 404T | MPP-64 | 92,4 | 53.2 | G | 902 | NU318 | 6314 | 33,5 |
| 60 | 3565 | 230/460 | 364TS | MQP-66 | 93,6 | 132/66 | G | 704 | 6313 | 6313 | 31,4 |
| | 3565 | 575 | 364TS | MPP-66 | 93,6 | 52.8 | G | 704 | 6313 | 6313 | 31,4 |
| | 1780 | 230/460 | 364T | MQP-67 | 95 | 139/69.5 | G | 766 | 6313 | 6313 | 32,5 |
| | 1780 | 575 | 364T | MPP-67 | 95 | 55.6 | G | 766 | 6313 | 6313 | 32,5 |
| | 1190 | 230/460 | 404T | MQP-68 | 94,5 | 140/70 | G | 1000 | NU318 | 6314 | 38 |
| | 1190 | 575 | 404T | MPP-68 | 94,5 | 56 | G | 1000 | NU318 | 6314 | 38 |
| | 885 | 230/460 | 405T | MQP-69 | 92,4 | 160/80 | G | 1010 | NU318 | 6314 | 38 |
| | 885 | 575 | 405T | MPP-69 | 92,4 | 64 | G | 1010 | NU318 | 6314 | 38 |



PREMIUM DESIGN B NEMA 12-12

CAST IRON CONSTRUCTION RIGID BASE

TEFC TOTALLY ENCLOSED FAN COOLED



| HP | FL RPM | VOLTS | FRAME | CAT NO. | NOM EFF. | F.L. AMPS | CODE | WT (Lbs) | DE BRG | ODE BRG | "C" Dimension (Inch) |
|-----|--------|---------|-------|---------|----------|-----------|------|----------|--------|---------|----------------------|
| 75 | 3565 | 230/460 | 365TS | MQP-71 | 93,6 | 166/83 | G | 766 | 6313 | 6313 | 31,4 |
| | 3565 | 575 | 365TS | MPP-71 | 93,6 | 66.5 | G | 766 | 6313 | 6313 | 31,4 |
| | 1780 | 230/460 | 365T | MQP-72 | 95,4 | 174/87 | G | 783 | 6313 | 6313 | 33,5 |
| | 1780 | 575 | 365T | MPP-72 | 95,4 | 70 | G | 783 | 6313 | 6313 | 33,5 |
| | 1190 | 230/460 | 405T | MQP-73 | 94,5 | 178/89 | G | 1120 | NU318 | 6314 | 38 |
| | 1190 | 575 | 405T | MPP-73 | 94,5 | 70 | G | 1120 | NU318 | 6314 | 38 |
| | 890 | 460 | 444T | MQP-74 | 93,6 | 194/97 | G | 1353 | NU319 | 6318 | 44,3 |
| | 890 | 575 | 444T | MPP-74 | 93,6 | 77.6 | G | 1353 | NU319 | 6318 | 44,3 |
| 100 | 3570 | 230/460 | 405TS | MQP-76 | 94,1 | 220/110 | G | 1040 | 6314 | 6314 | 35 |
| | 3570 | 575 | 405TS | MPP-76 | 94,1 | 89 | G | 1040 | 6314 | 6314 | 35 |
| | 1790 | 230/460 | 405T | MQP-77 | 95,4 | 224/112 | G | 1058 | NU318 | 6314 | 38 |
| | 1790 | 575 | 405T | MPP-77 | 95,4 | 89.6 | G | 1058 | NU318 | 6314 | 38 |
| | 1185 | 460 | 444T | MQP-78 | 95 | 122 | G | 1320 | NU319 | 6318 | 44,3 |
| | 1185 | 575 | 444T | MPP-78 | 95 | 96 | G | 1320 | NU319 | 6318 | 44,3 |
| | 890 | 460 | 445T | MQP-79 | 93,6 | 252/126 | G | 1373 | NU319 | 6318 | 44,3 |
| | 890 | 575 | 445T | MPP-79 | 93,6 | 100.8 | G | 1373 | NU319 | 6318 | 44,3 |
| 125 | 3580 | 460 | 444TS | MQP-81 | 95 | 140 | G | 1247 | 6314 | 6314 | 40,6 |
| | 3580 | 575 | 444TS | MPP-81 | 95 | 111 | G | 1247 | 6314 | 6314 | 40,6 |
| | 1785 | 460 | 444T | MQP-82 | 95,4 | 145 | G | 1342 | NU319 | 6318 | 44,3 |
| | 1785 | 575 | 444T | MPP-82 | 95,4 | 115 | G | 1342 | NU319 | 6318 | 44,3 |
| | 1185 | 460 | 445T | MQP-83 | 95 | 147 | G | 1400 | NU319 | 6318 | 44,3 |
| | 1185 | 575 | 445T | MPP-83 | 95 | 117.6 | G | 1400 | NU319 | 6318 | 44,3 |
| | 890 | 460 | 447T | MQP-84 | 94,1 | 158 | G | 1680 | NU319 | 6318 | 47,8 |
| | 890 | 575 | 447T | MPP-84 | 94,1 | 126.4 | G | 1680 | NU319 | 6318 | 47,8 |
| 150 | 3580 | 460 | 445TS | MQP-86 | 95 | 166 | G | 1408 | 6314 | 6314 | 40,6 |
| | 3580 | 575 | 445TS | MPP-86 | 95 | 133 | G | 1408 | 6314 | 6314 | 40,6 |
| | 1790 | 460 | 445T | MQP-87 | 95,8 | 171 | G | 1672 | NU319 | 6318 | 47,8 |
| | 1790 | 575 | 445T | MPP-87 | 95,8 | 137 | G | 1672 | NU319 | 6318 | 47,8 |
| | 1188 | 460 | 447T | MQP-88 | 95,8 | 173 | G | 1800 | NU319 | 6318 | 47,8 |
| | 1188 | 575 | 447T | MPP-88 | 95,8 | 138 | G | 1800 | NU319 | 6318 | 47,8 |
| | 890 | 460 | 449T | MQP-89 | 94,1 | 186 | G | 1800 | NU319 | 6318 | 52,8 |
| | 890 | 575 | 449T | MPP-89 | 94,1 | 148.8 | G | 1800 | NU319 | 6318 | 52,8 |
| 200 | 3580 | 460 | 447TS | MQP-96 | 95,4 | 222 | G | 2185 | 6314 | 6314 | 44,1 |
| | 3580 | 575 | 447TS | MPP-96 | 95,4 | 170 | G | 2185 | 6314 | 6314 | 44,1 |
| | 1790 | 460 | 447T | MQP-97 | 96,2 | 220 | G | 2260 | NU319 | 6318 | 47,8 |
| | 1790 | 575 | 447T | MPP-97 | 96,2 | 176 | G | 2260 | NU319 | 6318 | 47,8 |
| | 1188 | 460 | 449T | MQP-98 | 95,8 | 220 | G | 3100 | NU319 | 6318 | 52,8 |
| | 1188 | 575 | 449T | MPP-98 | 95,8 | 184 | G | 3100 | NU319 | 6318 | 52,8 |
| 250 | 3580 | 460 | 449TS | MQP-101 | 95,8 | 266 | G | 2700 | 6314 | 6314 | 49,1 |
| | 3580 | 575 | 449TS | MPP-101 | 95,8 | 212.6 | G | 2700 | 6314 | 6314 | 49,1 |
| | 1790 | 460 | 449T | MQP-102 | 96,2 | 275 | G | 3100 | NU319 | 6318 | 52,8 |
| | 1790 | 575 | 449T | MPP-102 | 96,2 | 220 | G | 3100 | NU319 | 6318 | 52,8 |
| 300 | 3580 | 460 | 449TS | MQP-106 | 95,8 | 320 | G | 2900 | 6314 | 6314 | 49,1 |
| | 3580 | 575 | 449TS | MPP-106 | 95,8 | 256 | G | 2900 | 6314 | 6314 | 49,1 |
| | 1790 | 460 | 449T | MQP-107 | 96,2 | 330 | G | 3220 | NU319 | 6318 | 52,8 |
| | 1790 | 575 | 449T | MPP-107 | 96,2 | 264 | G | 3220 | NU319 | 6318 | 52,8 |

For more information, visit us at MEP.CA

Updated July 2019

